

max. 440 m³/h

DC axial fans

Series 4100 N High Performance 119 x 119 x 38 mm

Highlights:

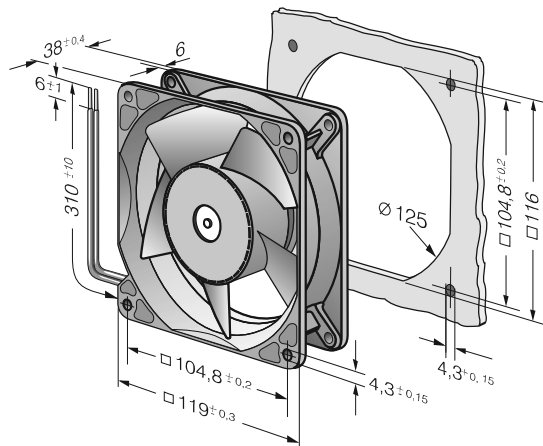
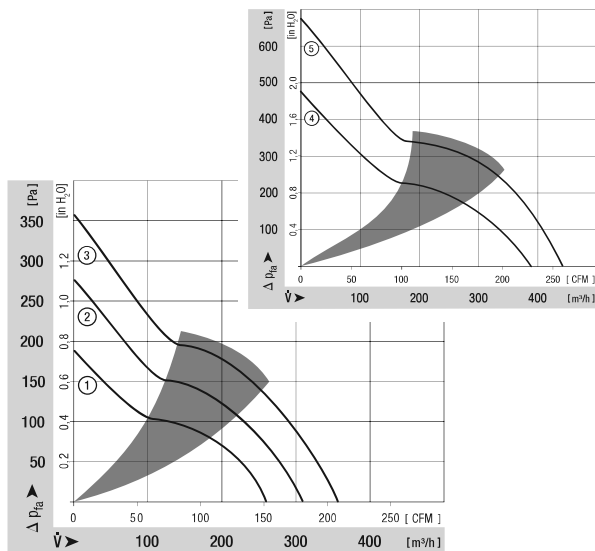
- Very rigid compression curve for high air flow at high back pressure.
- Low operating noise level at high back pressure.
- Optional Vario-Pro: Highly adaptable software configuration of the fan enables a tailor-made solution to the specific requirements of your applications.

General characteristics:

- Material: aluminium housing, fibreglass-reinforced PA impeller; housing with grounding lug for screw M4 x 8 (Torx).
- Fully integrated electronic commutation.
- Protected against reverse polarity and locking.
- Connection via single strands AWG 22, UL1007, TR 64, bared and tin-plated
- Air intake over struts. Direction of rotation clockwise, seen on rotor.
- Mass: 390 g.



| Nominal data | Air flow | | Nominal voltage | Voltage range | Sound pressure level | Sound power level | Sinter sleeve bearings Ball bearings | Power input | Nominal speed | Temperature range | Service life L ₁₀ (40 °C) ebmpapst Standard | Service life L ₁₀ (T _{max}) ebmpapst Standard | Life expectancy L ₁₀ Δ (40 °C) see P. 15 | Curve | Specials |
|--------------|-------------------|-------|-----------------|---------------|----------------------|-------------------|---|-------------|---------------|-------------------|---|---|--|-------|----------|
| | m ³ /h | CFM | | | | | | | | | | | | | |
| 4112 NHH | 260 | 152,9 | 12 | 9...15 | 60 | 6,8 | ■ | 13,3 | 5 000 | -20...+65 | 70 000 / 55 000 | 147 500 | 1 | | |
| 4112 NH3 | 310 | 182,4 | 12 | 9...15 | 65 | 7,2 | ■ | 21,6 | 6 000 | -20...+65 | 65 000 / 37 500 | 132 500 | 2 | /2 | |
| 4112 NH4 | 355 | 208,9 | 12 | 9...14 | 67 | 7,4 | ■ | 32,0 | 6 800 | -20...+65 | 62 500 / 35 000 | 125 000 | 3 | /2 | |
| 4114 NHH | 260 | 152,9 | 24 | 16...30 | 60 | 6,8 | ■ | 12,4 | 5 000 | -20...+65 | 70 000 / 52 500 | 147 500 | 1 | /2 | |
| 4114 NH3 | 310 | 182,4 | 24 | 16...30 | 65 | 7,2 | ■ | 19,5 | 6 000 | -20...+65 | 65 000 / 37 500 | 132 500 | 2 | /2 | |
| 4114 NH4 | 355 | 208,9 | 24 | 16...30 | 67 | 7,4 | ■ | 30,0 | 6 800 | -20...+65 | 62 500 / 35 000 | 125 000 | 3 | /2 | |
| 4114 NH5 | 390 | 229,5 | 24 | 16...30 | 70 | 7,6 | ■ | 45,0 | 7 500 | -20...+65 | 62 500 / 35 000 | 125 000 | 4 | /2 | |
| 4114 NH6 | 440 | 259,0 | 24 | 16...30 | 73 | 8,1 | ■ | 65,0 | 8 400 | -20...+65 | 60 000 / 32 500 | 120 000 | 5 | /2 | |
| 4118 NHH | 260 | 152,9 | 48 | 36...60 | 60 | 6,8 | ■ | 12,0 | 5 000 | -20...+65 | 70 000 / 52 500 | 147 500 | 1 | /2 | |
| 4118 NH3 | 310 | 182,4 | 48 | 36...60 | 65 | 7,2 | ■ | 20,0 | 6 000 | -20...+65 | 65 000 / 37 500 | 132 500 | 2 | /2 | |
| 4118 NH4 | 355 | 208,9 | 48 | 36...60 | 67 | 7,4 | ■ | 28,0 | 6 800 | -20...+65 | 62 500 / 35 000 | 125 000 | 3 | /2 | |
| 4118 NH5 | 390 | 229,5 | 48 | 36...60 | 70 | 7,6 | ■ | 45,0 | 7 500 | -20...+65 | 62 500 / 35 000 | 125 000 | 4 | /2 | |
| 4118 NH6 | 440 | 259,0 | 48 | 36...60 | 73 | 8,1 | ■ | 62,0 | 8 400 | -20...+65 | 60 000 / 32 500 | 120 000 | 5 | /2 | |



max. 570 m³/h

DC axial fans

Series 4100 N High Performance 119 x 119 x 38 mm



Highlights:

- Very rigid compression curve for high air flow at high back pressure.
- Low operating noise level at high back pressure.
- Available as standard with PWM control input and speed signal, additional inputs and outputs on request. 3-phase fan drive with high degree of running smoothness.

General characteristics:

- Material: aluminium housing, fibreglass-reinforced PA impeller; housing with grounding lug for screw M4 x 8 (Torx).
- Protected against reverse polarity and locking.
- Connection via single strands AWG 20, sensor and control leads AWG 22, UL1007, TR 64. Bared and tin-plated.
- Air intake over struts. Direction of rotation clockwise, seen on rotor.
- Mass: 425 g.

| Nominal data | Air flow | | Nominal voltage | Voltage range | Sound pressure level | Sound power level | Sinter sleeve bearings Ball bearings | Power input | Nominal speed | Temperature range | Service life L ₁₀ (40 °C) ebm-papst Standard | Service life L ₁₀ (T _{max}) ebm-papst Standard | Life expectancy L ₁₀ Δ (40 °C) see P. 15 | Curve | Specials |
|--------------|-------------------|-------|-----------------|---------------|----------------------|-------------------|---|-------------|---------------|-------------------|--|--|--|-------|----------|
| | m ³ /h | CFM | | | | | | | | | | | | | |
| 4114 N/2H7P | 500 | 294,2 | 24 | 16...30 | 76 | 8,5 | ■ | 90 | 9 500 | -20...+75 | 57 500 / 25 000 | 115 000 | 1 | /2 | |
| 4114 N/2H8P | 570 | 335,5 | 24 | 16...30 | 78 | 8,9 | ■ | 120 | 11 000 | -20...+75 | 55 000 / 22 500 | 110 000 | 2 | /2 | |
| 4118 N/2H7P | 500 | 294,2 | 48 | 36...60* | 76 | 8,5 | ■ | 90 | 9 500 | -20...+75 | 57 500 / 25 000 | 115 000 | 1 | /2 | |
| 4118 N/2H8P | 570 | 335,5 | 48 | 36...60* | 78 | 8,9 | ■ | 120 | 11 000 | -20...+75 | 55 000 / 22 500 | 110 000 | 2 | /2 | |

*36...72 VDC on request.

Speed control range from 500 RPM up to maximum nominal speed. Stationary at 0 % PWM, maximum speed at sensor break.

To attain the specified service life, an external capacitor must be wired between the plus and minus strands. Please note the wiring suggestion on page 22.

