



The engineer's choice

**ebmpapst**

# RL48-19/12-019

## INDEX

<b>1</b>	<b>General</b> .....	<b>3</b>
<b>2</b>	<b>Mechanics</b> .....	<b>3</b>
2.1	General .....	3
2.2	Connections .....	3
<b>3</b>	<b>Operating Data</b> .....	<b>4</b>
3.1	Operating Data - Electrical Interface - Input .....	4
3.2	Electrical Operating Data .....	5
3.3	Operating Data - Electrical Interface -Output .....	5
3.4	Electrical Features .....	6
3.5	Aerodynamic .....	7
3.6	Sound Data .....	7
<b>4</b>	<b>Environment</b> .....	<b>8</b>
4.1	General .....	8
4.2	Climatic requirements*).....	8
<b>5</b>	<b>Safety</b> .....	<b>9</b>
5.1	Electrical Safety .....	9
5.2	Approval Tests .....	9
<b>6</b>	<b>Reliability</b> .....	<b>9</b>
6.1	General .....	9

## 1 General

Fan type	Blower	
Rotational direction looking at rotor	counterclockwise	
Airflow direction	Air in axially, Air out radially	
Bearing system	Ball bearing	
Mounting position	any	

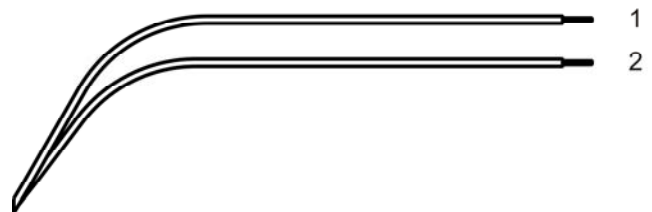
## 2 Mechanics

### 2.1 General

Width	76,0 mm	
Height	76,0 mm	
Depth	27,0 mm	
Weight	0,075 kg	
Housing material	Plastic	
Impeller material	Plastic	
Max. torque when mounted across both mounting flanges	wire outlet corner: 120 Ncm remaining corners: 120 Ncm	
Screw size	ISO 4762 - M4 degreased, without an additional brace and without washer	

### 2.2 Connections

Electrical connection	Wires - Plug	
Length of lead wire	L = 100 mm	
Tolerance	+/- 10,0 mm	
Wire gauge (AWG)	26	
Insulation diameter	1,35 mm	
Connector+Contact	see drawing	



	Colour	Operation
Wire 1	red	+ UB
Wire 2	blue	- GND

**3 Operating Data**

**3.1 Operating Data - Electrical Interface - Input**

Control input	None
---------------	------

### 3.2 Electrical Operating Data

Measurement conditions: Normal air density = 1,2 kg/m<sup>3</sup>; Temperature 23°C +/- 3°C; Motor axis horizontal; warm-up time before measuring 5 minutes (unless otherwise specified). In the intake and outlet area should not be any solid obstruction within 0,5 m.

$\Delta p = 0$ : corresp. to free air flow (see section 3.5)  
I: corresp. to arithm. mean current value

Features	Condition	Symbol	Values		
Voltage range	$\Delta p = 0$	U	8,0 V		13,5 V
Nominal voltage	$\Delta p = 0$	$U_N$		12,0 V	
Power consumption	$\Delta p = 0$	P	1,9 W	4,6 W	5,9 W
Tolerance	0001		+/- 17,5 %	+/- 12,5 %	+/- 17,5 %
Current consumption	$\Delta p = 0$	I	240 mA	385 mA	440 mA
Tolerance	0001		+/- 17,5 %	+/- 12,5 %	+/- 17,5 %
Speed	$\Delta p = 0$	n	3.250 1/min	4.400 1/min	4.650 1/min
Tolerance	0001		+/- 15,0 %	+/- 10,0 %	+/- 15,0 %
Starting current consumption				910 mA	

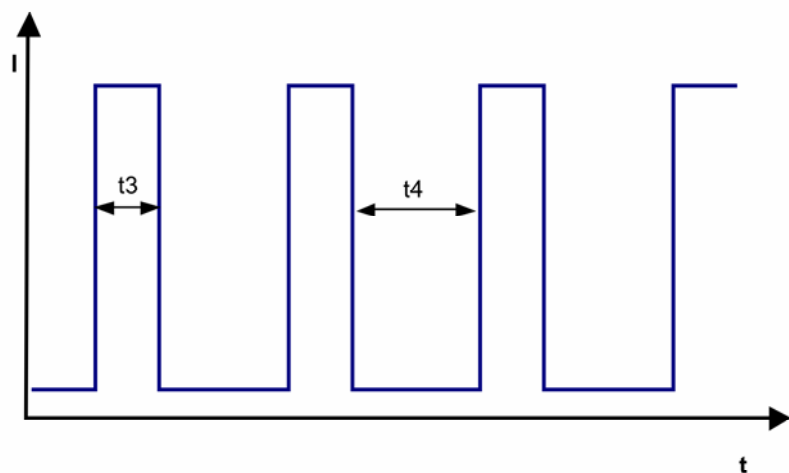
### 3.3 Operating Data - Electrical Interface -Output

Tacho type	None
------------	------

Alarm type	None
------------	------

### 3.4 Electrical Features

Electronic function	None	
Reversed polarity protection	Rectifying diode	
Max. residual current at $U_n$	$I_F \leq 500 \mu A$	
Locked rotor protection	Auto restart	
Locked rotor current at $U_n$		
Clock signal $t_3/t_4$ at locked rotor	Typical: 0,16 s / 1,0 s $t_3$ : 0,05 s... 0,35 s $t_4$ : 0,35 s... 2,1 s	



### 3.5 Aerodynamic

Measurement conditions: Measured with a double chamber intake rig acc. to DIN EN ISO 5801.  
Normal air density = 1,2 kg/m<sup>3</sup>; Temperature 23°C +/- 3°C;  
In the intake and outlet area should not be any solid obstruction within 0,5 m.

a.) Operation condition:

4.400 1/min at free air flow

Max. free-air flow ( $\Delta p = 0 / \dot{V} = \max.$ )	28,0 m <sup>3</sup> /h	
Max. static pressure ( $\Delta p = \max. / \dot{V} = 0$ )	165 Pa	

### 3.6 Sound Data

Measurement conditions: Sound pressure level: 1 Meter distance between microphone and the air intake.  
Sound power level: Acc. to DIN 45635 part 38 (ISO 10302)  
Measured in a semianchoic chamber with a background noise level of L<sub>p</sub>(A) < 5 dB(A)  
For further measurement conditions see section 3.5

a.) Operation condition:

4.400 1/min at free air flow

Optimal operating point	19,0 m <sup>3</sup> /h @ 77 Pa	
Sound power level at the optimal operating point	5,7 bel(A)	
Sound pressure level at free air flow, measured in rubber bands		

## 4 Environment

### 4.1 General

Min. permitted ambient temperature TU min.	-20 °C	
Max. permitted ambient temperature TU max.	70 °C	
Min. permitted storage temperature TL min.	-40 °C	
Max. permitted storage temperature TL max.	80 °C	

### 4.2 Climatic requirements\*)

Humidity requirements	humid heat, constant; according to DIN EN 60068-2-78, 14 days	
Water exposure	None	
Radiation exposure	None	
Dust requirements	None	
Salt fog requirements	None	
Harmful gas requirements	None	

\*) Permitted application area:

The product is intended for use in sheltered rooms with controlled temperature and controlled humidity. Directly exposure to water must be avoided.

Pollution degree 1 (according DIN EN 60664-1)

There is either no pollution or it occurs only dry, non-conductive pollution. The pollution has no negative impact.

## 5 Safety

### 5.1 Electrical Safety

Dielectric strength DIN EN 60950 (VDE 0805) and DIN EN 60335 (VDE 0700) A.) Type test Measuring conditions: After 48h of storage at 95% R.H. and 25°C. No arcing or breakdown is allowed! All connections together to ground. B.) Routine test Measuring conditions: At indoor climate. No arcing or breakdown is allowed! All connections together to ground.	500 VAC / 1 Min.  500 VAC / 1 Sec.	
Isolation resistance Measuring conditions: After 48h of storage at 95% R.H. and 25°C measured with U=500 VDC for 1 min.	RI > 10 MOhm	
clearance / creepage distance	1,0 mm / 1,2 mm	
Protection class	III	

### 5.2 Approval Tests

CE	Yes
UL	Yes / UL507, Electric Fans
VDE	Yes / Approval acc. to EN 60950 (VDE 0805) - Information technology equipment
CSA	Yes / C22.2 No. 113 Fans and Ventilators
CCC	No

The approval tests are observed to:

U approval max.: 13,5 V @ TU approval max.: 70,0 °C

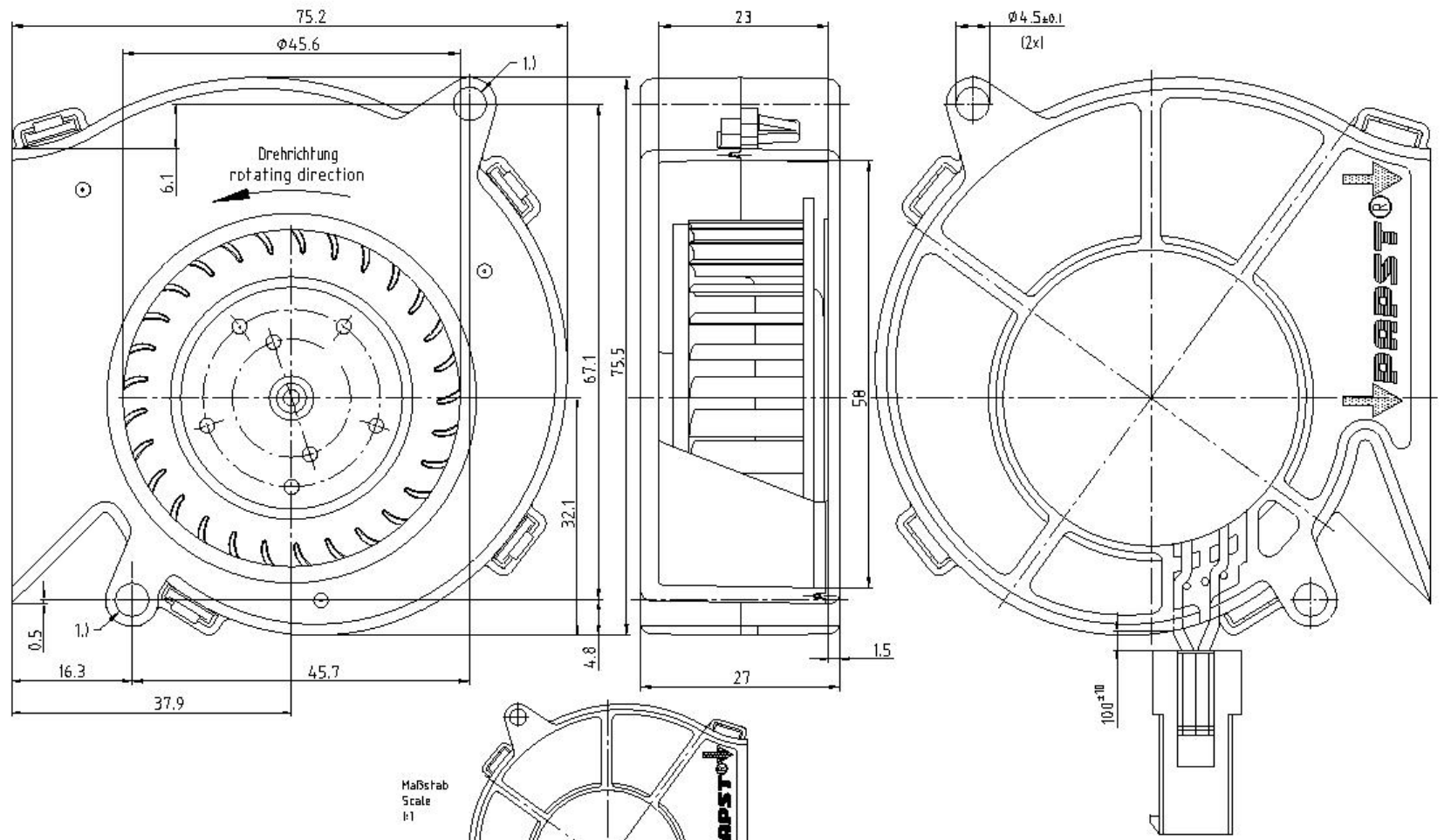
## 6 Reliability

### 6.1 General

Life expectancy L10 at TU = 40 °C	60.000 h	
Life expectancy L10 at TU max.	30.000 h	
Life expectancy L10 Delta (40 °C)	120.000 h	

Dimensions of the drawing and parts 1) to others and their combinations of the assembly should be in the units of the part or the combination of parts, as indicated in the drawing.

Substanzmaß nach DIN ISO 1466 (back view) Refer. to position within DIN ISO 1466



1.) max. Anschraubdrehmoment = 1,3Nm  
 1.) max. screw turning moment = 1,3Nm

Maßstab  
 Scale  
 1:1

Tolerierung/Tolerances: DIN 7167			
Allgemeintoleranzen/ Gen. Tolerances:		DIN ISO 2768-mK-E	
		Artikel/Title	Maßstab/scale
Bearb./Drawn:	Name/Name		Blatt/Page
		Zchg.-Nr./ Dwg.-No.:	Blatt/Page
vgr. u. zur Veranlassung freigegeben/Checked for release by:		Ers./Zchg./ Replaces:	
ebm-papst St. Georgen GmbH & Co. KG			A3