

backward-curved, single-intake

with support bracket

ASIA PACIFIC SHENGRUI LIMITED

Phone +00852 56261528

info@apacfan.com

www.apacfan.com



Nominal data

| | | |
|--------------------------|-------------------|------------|
| Type | K3G400-PA27-71 | |
| Motor | M3G150-FF | |
| Phase | | 3~ |
| Nominal voltage | VAC | 400 |
| Nominal voltage range | VAC | 380 .. 480 |
| Frequency | Hz | 50/60 |
| Method of obtaining data | | ml |
| Speed | min ⁻¹ | 2750 |
| Power consumption | W | 3350 |
| Current draw | A | 5.2 |
| Min. ambient temperature | °C | -25 |
| Max. ambient temperature | °C | 40 |

ml = Max. load · me = Max. efficiency · fa = Free air · cs = Customer specification · ce = Customer equipment
Subject to change

Data according to ErP Directive

| | | Actual | Req. 2015 |
|-----------------------------------|---|--------|-----------|
| 01 Overall efficiency η_{es} | % | 69.4 | 57 |
| 02 Measurement category | | A | |
| 03 Efficiency category | | Static | |
| 04 Efficiency grade N | | 74.4 | 62 |
| 05 Variable speed drive | | Yes | |

Data obtained at optimum efficiency level.

The ErP data is determined using a motor-impeller combination in a standardized measurement setup.

| | | |
|-------------------------------|-------------------|------|
| 09 Power consumption P_{ed} | kW | 3.31 |
| 09 Air flow q_v | m ³ /h | 6755 |
| 09 Pressure increase p_{fs} | Pa | 1175 |
| 10 Speed n | min ⁻¹ | 2750 |
| 11 Specific ratio* | | 1.01 |

* Specific ratio = $1 + p_{fs} / 100\,000\text{ Pa}$

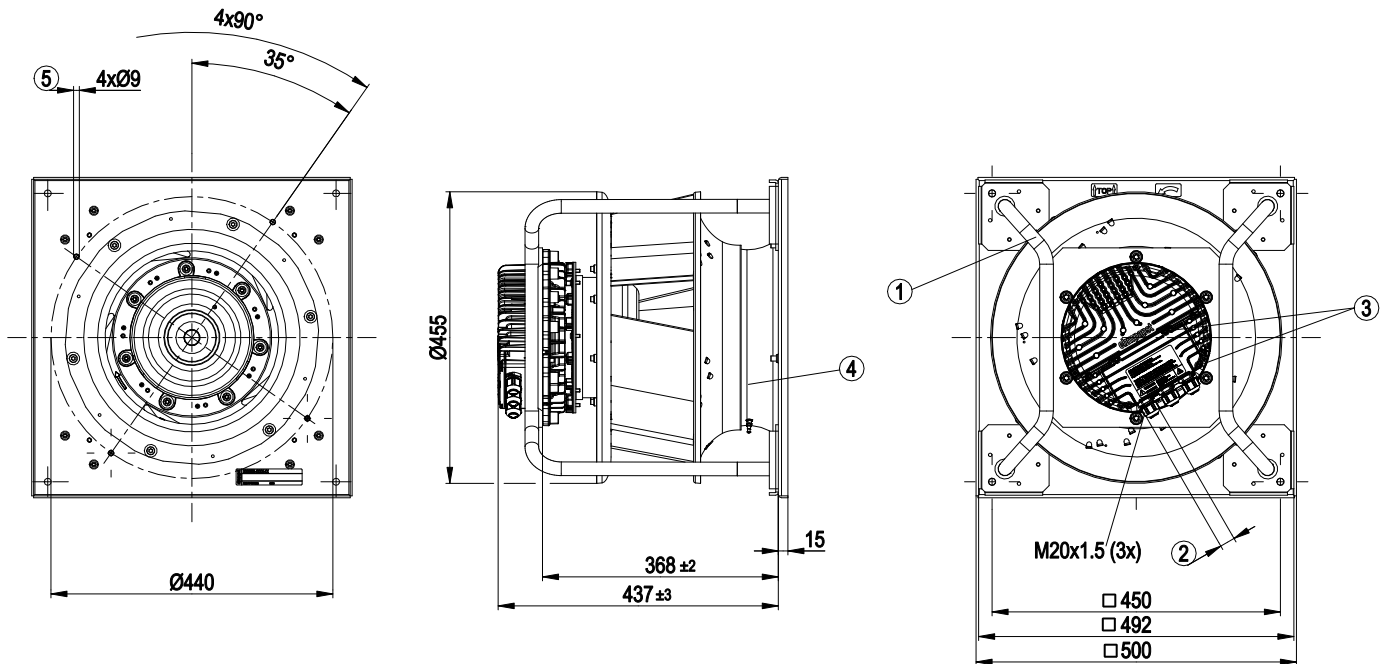
LU-176800



Technical description

| | |
|--|--|
| Weight | 32 kg |
| Fan size | 400 mm |
| Rotor surface | Painted black |
| Electronics housing material | Die-cast aluminum |
| Impeller material | Sheet aluminum |
| Support plate material | Sheet steel, galvanized |
| Support bracket material | Steel, painted black |
| Inlet nozzle material | Sheet steel, galvanized |
| Number of blades | 5 |
| Direction of rotation | Clockwise, viewed toward rotor |
| Degree of protection | IP55 |
| Insulation class | "F" |
| Moisture (F) / Environmental (H) protection class | H1 |
| Max. permitted ambient temp. for motor (transport/storage) | +80 °C |
| Min. permitted ambient temp. for motor (transport/storage) | -40 °C |
| Installation position | See product drawing |
| Condensation drainage holes | On rotor side |
| Mode | S1 |
| Motor bearing | Ball bearing |
| Technical features | <ul style="list-style-type: none"> - Output 10 VDC, max. 10 mA - Operation and alarm display - External 24 V input (parameter setting) - External release input - Alarm relay - Integrated PID controller - Motor current limitation - PFC, passive - RS-485 MODBUS-RTU - Soft start - Control input 0-10 VDC / PWM - Control interface with SELV potential safely disconnected from the mains - Thermal overload protection for electronics/motor - Line undervoltage / phase failure detection |
| Touch current according to IEC 60990 (measuring circuit Fig. 4, TN system) | <= 3.5 mA |
| Electrical hookup | Via terminal box |
| Motor protection | Reverse polarity and locked-rotor protection |
| Protection class | I (with customer connection of protective earth) |
| Conformity with standards | EN 61800-5-1; CE |
| Approval | EAC |

Product drawing

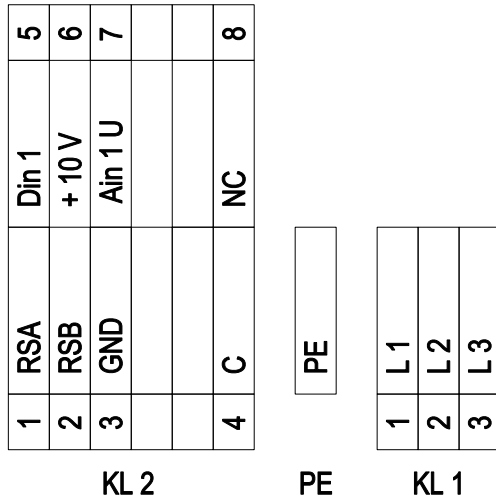


| | |
|---|--|
| 1 | Installed position: shaft horizontal (install support struts only vertically as illustrated) or rotor on bottom; rotor on top on request |
| 2 | Cable diameter min. 4 mm, max. 10 mm, tightening torque 4 ± 0.6 Nm |
| 3 | Tightening torque 3.5 ± 0.5 Nm |
| 4 | Inlet ring with pressure tap (k-factor: 188) |
| 5 | Mounting holes for FlowGrid |

EC centrifugal module - RadiPac

backward-curved, single-intake
with support bracket

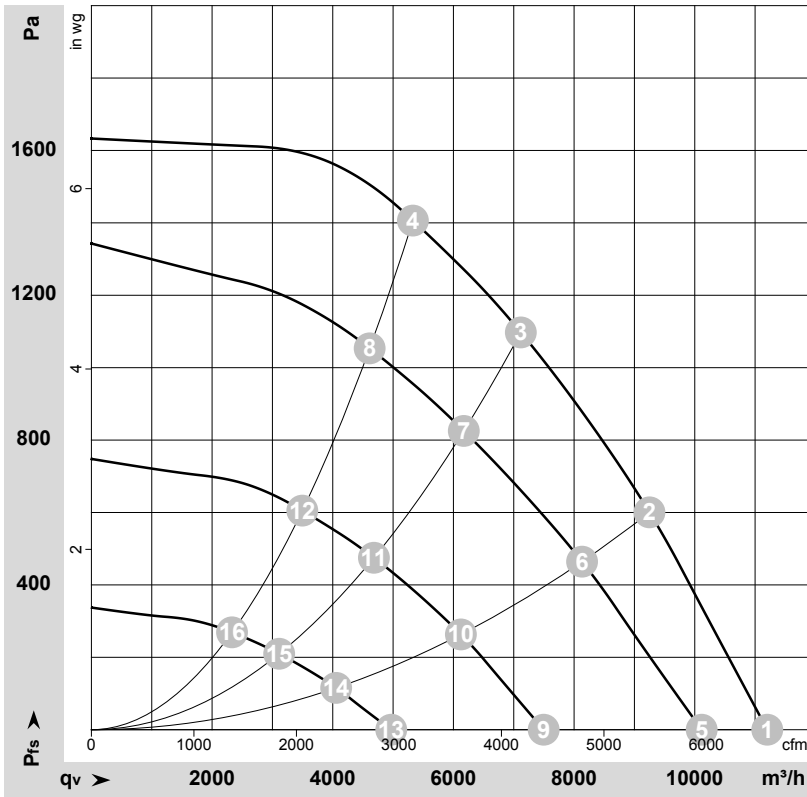
Connection diagram



| No. | Conn. | Designation | Function/assignment |
|------|-------|-------------|---|
| KL 1 | 1 | L1 | Supply connection, power supply 3-phase 380-480 VAC, 50/60 Hz |
| KL 1 | 2 | L2 | Supply connection, power supply 3-phase 380-480 VAC, 50/60 Hz |
| KL 1 | 3 | L3 | Supply connection, power supply 3-phase 380-480 VAC, 50/60 Hz |
| PE | | PE | Ground connection, PE connection |
| KL 2 | 1 | RSA | Bus connection RS485, RSA, MODBUS-RTU; SELV |
| KL 2 | 2 | RSB | Bus connection RS485, RSB, MODBUS-RTU; SELV |
| KL 2 | 3 | GND | Reference ground for control interface; SELV |
| KL 2 | 4 | C | Status relay, floating status contact, common connection, changeover contact; contact rating 250 VAC / 2 A (AC1) |
| KL 2 | 5 | Din1 | Digital input 1 enable electronics, enable: pin open or applied voltage 5-50 VDC disable: bridge to GND or applied voltage < 1 VDC reset function: triggers software reset after a level change to < 1 V; SELV |
| KL 2 | 6 | + 10 V | Fixed voltage output 10 VDC, +10 V ±3%, max. 10 mA, short-circuit-proof, power supply for external devices (e.g. pot); SELV Or: +24 VDC input for parameter setting via MODBUS without line voltage |
| KL 2 | 7 | Ain1 U | Analog input 1 (set value) 0-10 V, Ri = 100 kΩ, adjustable curve; SELV |
| KL 2 | 8 | NC | Status relay, floating status contact, break for failure |



Curves: Air performance 50 Hz



$\rho = 1.168 \text{ kg/m}^3 \pm 2 \%$

Measurement: LU-176800-1

Air performance measured according to ISO 5801 installation category A. For detailed information on the measurement setup, contact ebmpapst. Intake sound level: Sound power level according to ISO 13347 / sound pressure level measured at 1 m distance from fan axis. The values given are valid under the specified measuring conditions and may vary due to conditions of installation. For deviations from the standard configuration, the parameters have to be checked on the installed unit.

Measured values

| | U | f | n | P _{ed} | I | LpA _{in} | LwA _{in} | LwA _{out} | qv | P _{fs} |
|----|-----|----|-------------------|-----------------|------|-------------------|-------------------|--------------------|-------------------|-----------------|
| | V | Hz | min ⁻¹ | W | A | dB(A) | dB(A) | dB(A) | m ³ /h | Pa |
| 1 | 400 | 50 | 2750 | 1846 | 2.90 | 93 | 100 | 101 | 11200 | 0 |
| 2 | 400 | 50 | 2750 | 2827 | 4.35 | 83 | 90 | 94 | 9250 | 600 |
| 3 | 400 | 50 | 2750 | 3289 | 5.04 | 78 | 85 | 93 | 7115 | 1100 |
| 4 | 400 | 50 | 2750 | 3350 | 5.20 | 79 | 86 | 93 | 5330 | 1400 |
| 5 | 400 | 50 | 2490 | 1389 | 2.24 | 89 | 96 | 97 | 10115 | 0 |
| 6 | 400 | 50 | 2415 | 1940 | 3.04 | 80 | 87 | 91 | 8130 | 469 |
| 7 | 400 | 50 | 2385 | 2162 | 3.37 | 74 | 82 | 89 | 6170 | 826 |
| 8 | 400 | 50 | 2380 | 2179 | 3.39 | 76 | 83 | 89 | 4610 | 1054 |
| 9 | 400 | 50 | 1850 | 619 | 1.20 | 80 | 87 | 89 | 7495 | 0 |
| 10 | 400 | 50 | 1820 | 869 | 1.52 | 71 | 80 | 84 | 6125 | 265 |
| 11 | 400 | 50 | 1805 | 977 | 1.66 | 68 | 77 | 82 | 4680 | 475 |
| 12 | 400 | 50 | 1805 | 982 | 1.67 | 69 | 78 | 83 | 3495 | 605 |
| 13 | 400 | 50 | 1240 | 227 | 0.61 | 69 | 77 | 78 | 4970 | 0 |
| 14 | 400 | 50 | 1215 | 298 | 0.73 | 60 | 69 | 73 | 4055 | 117 |
| 15 | 400 | 50 | 1205 | 330 | 0.78 | 58 | 66 | 71 | 3110 | 210 |
| 16 | 400 | 50 | 1205 | 332 | 0.79 | 59 | 66 | 72 | 2330 | 269 |

U = Power supply · f = Frequency · n = Speed · P_{ed} = Power consumption · I = Current draw · LpA_{in} = Sound pressure level intake side · LwA_{in} = Sound power level intake side
 LwA_{out} = Sound power level outlet side · qv = Air flow · p_{fs} = Pressure increase

