

D2E133-DM27-D8

AC centrifugal fan

forward-curved, dual-intake

with housing (flange)

ASIA PACIFIC SHENGRUI LIMITED

Phone +00852 56261528

info@apacfan.com

www.apacfan.com

Nominal data

Type	D2E133-DM27-D8		
Motor	M2E068-DF		
Phase		1~	1~
Nominal voltage	VAC	230	230
Frequency	Hz	50	60
Method of obtaining data		ml	ml
Valid for approval/standard		-	-
Speed (rpm)	min ⁻¹	1700	1900
Power consumption	W	200	220
Current draw	A	0.88	0.97
Capacitor	μF	5	5
Capacitor voltage	VDB	400	400
Min. back pressure	Pa	100	150
Min. back pressure	inH ₂ O	0.4	0.6
Min. ambient temperature	°C	-25	-25
Max. ambient temperature	°C	30	30

ml = Max. load · me = Max. efficiency · fa = Free air · cs = Customer specification · ce = Customer equipment
Subject to change



AC centrifugal fan

forward-curved, dual-intake

with housing (flange)

Technical description

Weight	4.04 kg
Fan size	133 mm
Impeller material	Sheet steel, hot-dip galvanized
Housing material	Sheet steel, hot-dip galvanized
Support structure material	Sheet steel, hot-dip galvanized
Direction of rotation	Clockwise, viewed toward rotor
Degree of protection	IP44; installation- and position-dependent
Insulation class	"B"
Moisture (F) / Environmental (H) protection class	H0 - dry environment
Max. permitted ambient temp. for motor (transport/storage)	+ 80 °C
Min. permitted ambient temp. for motor (transport/storage)	- 40 °C
Installation position	Any
Condensation drainage holes	None
Mode	S1
Motor bearing	Ball bearing
Touch current according to IEC 60990 (measuring circuit Fig. 4, TN system)	< 0.75 mA
Electrical hookup	Via terminal strip, capacitor connected
Motor protection	Thermal overload protector (TOP) internally connected
With cable	Axial
Protection class	I (with customer connection of protective earth)
Motor capacitor according to EN 60252-1 in safety protection class	S0
Conformity with standards	EN 60335-1

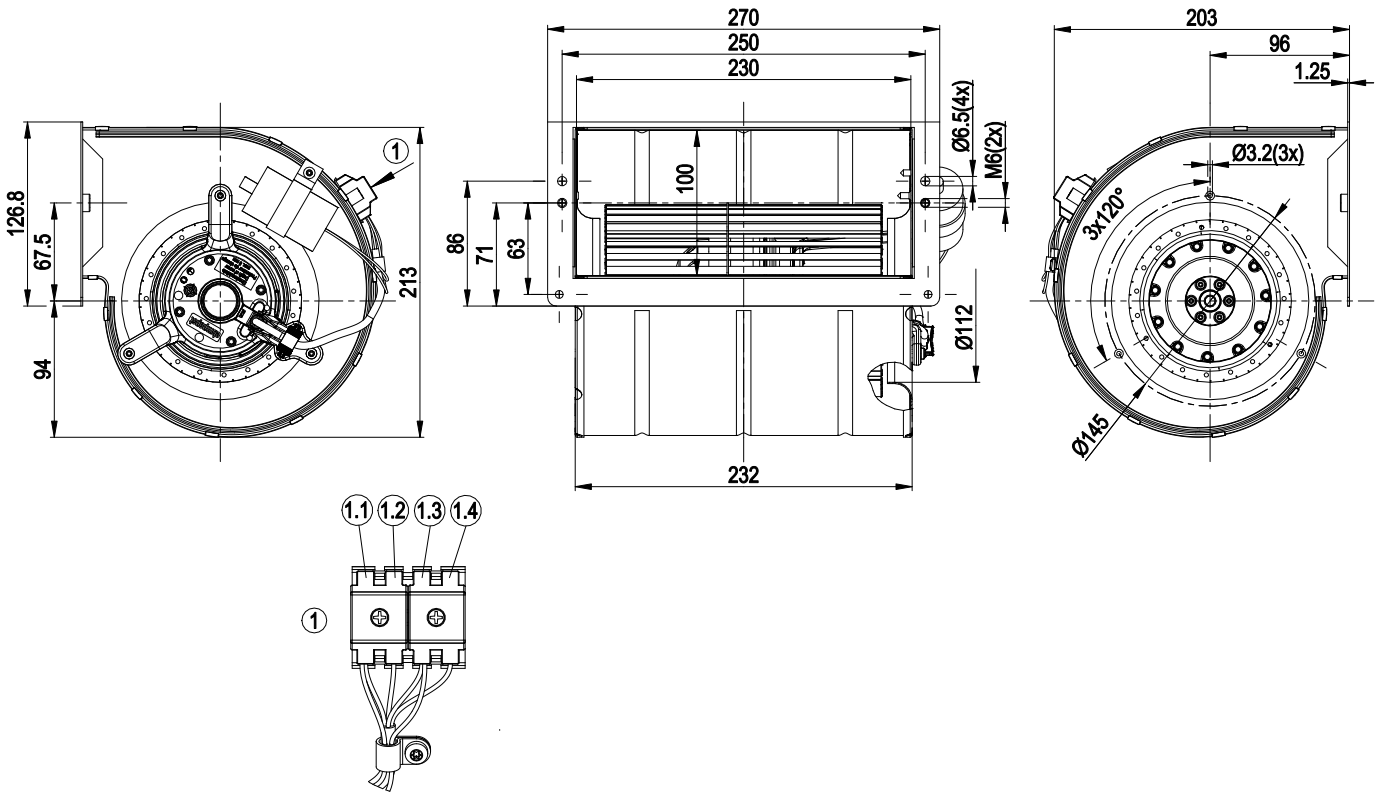
D2E133-DM27-D8

AC centrifugal fan

forward-curved, dual-intake

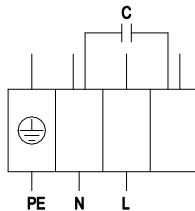
with housing (flange)

Product drawing



1	Cable PVC 4G 0.5 mm ² , with terminal strip WECO 323-V-HDS/04-V0-BNA
1.1	brown + capacitor
1.2	blue
1.3	black + capacitor
1.4	green/yellow

Connection diagram



PE	green/yellow	N	black	L	blue
----	--------------	---	-------	---	------

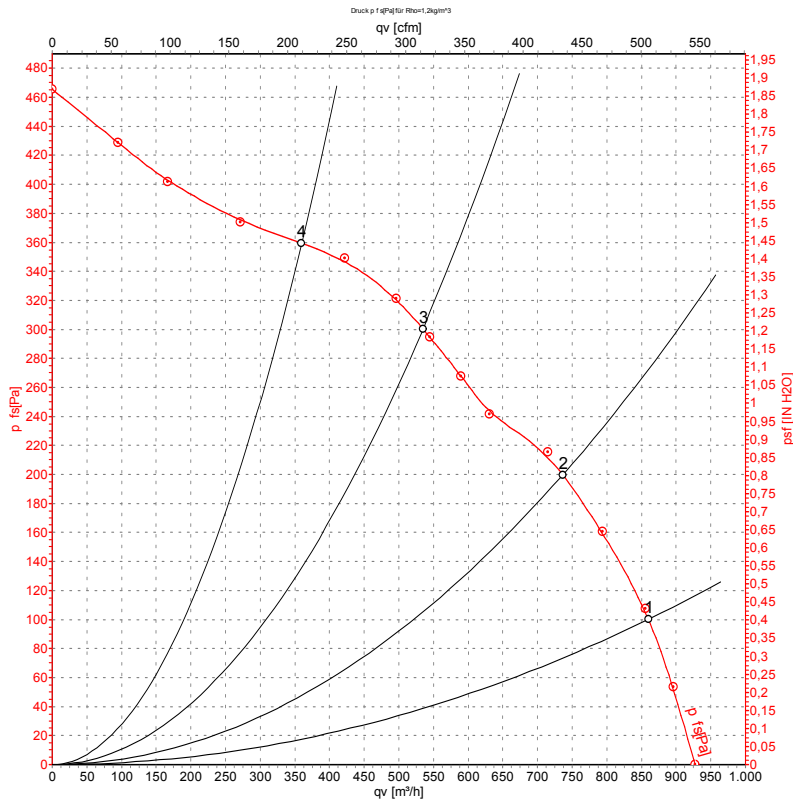


AC centrifugal fan

forward-curved, dual-intake

with housing (flange)

Curves: Air performance 50 Hz



Measurement: LU-57049-1

Air performance measured according to ISO 5801 installation category A. For detailed information on the measurement setup, contact ebmpapst. Intake sound level: Sound power level according to ISO 13347 / sound pressure level measured at 1 m distance from fan axis. The values given are valid under the specified measuring conditions and may vary due to conditions of installation. For deviations from the standard configuration, the parameters have to be checked on the installed unit.

Measured values

	U	f	n	P _e	I	q _v	p _{fs}	q _v	p _{fs}
	V	Hz	min ⁻¹	W	A	m ³ /h	Pa	cfm	inH ₂ O
1	230	50	1700	200	0.88	860	100	505	0.40
2	230	50	2035	181	0.79	735	200	435	0.80
3	230	50	2370	157	0.69	535	300	315	1.20
4	230	50	2540	139	0.62	360	360	210	1.45

U = Power supply · f = Frequency · n = Speed (rpm) · P_e = Power consumption · I = Current draw · q_v = Air flow · p_{fs} = Pressure increase

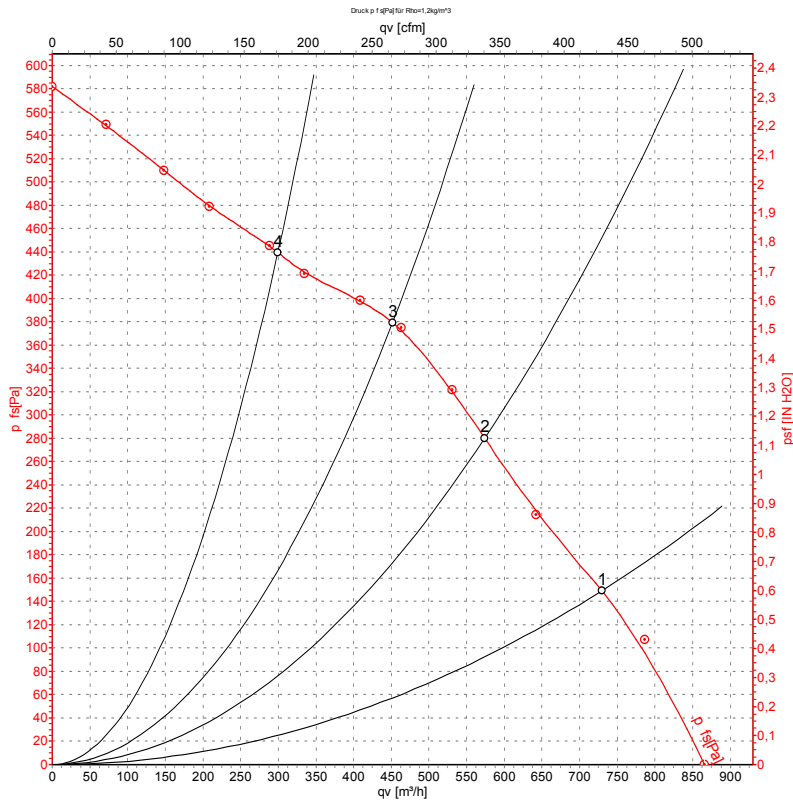


AC centrifugal fan

forward-curved, dual-intake

with housing (flange)

Curves: Air performance 60 Hz



Measurement: LU-57050-1

Air performance measured according to ISO 5801 installation category A. For detailed information on the measurement setup, contact ebm-papst. Intake sound level: Sound power level according to ISO 13347 / sound pressure level measured at 1 m distance from fan axis. The values given are valid under the specified measuring conditions and may vary due to conditions of installation. For deviations from the standard configuration, the parameters have to be checked on the installed unit.

Measured values

	U	f	n	P _e	I	q _v	p _{fs}	q _v	p _{fs}
	V	Hz	min ⁻¹	W	A	m ³ /h	Pa	cfm	inH ₂ O
1	230	60	1900	220	0.97	730	150	430	0.60
2	230	60	2330	209	0.92	575	280	340	1.12
3	230	60	2610	200	0.89	450	380	265	1.53
4	230	60	2825	191	0.86	300	440	175	1.77

U = Power supply · f = Frequency · n = Speed (rpm) · P_e = Power consumption · I = Current draw · q_v = Air flow · p_{fs} = Pressure increase