

D2E133-DM64-I5

# AC centrifugal fan

forward-curved, dual-intake  
with housing and mounting bracket

**ASIA PACIFIC SHENGRUI LIMITED**

Phone +00852 56261528

info@apacfan.com

www.apacfan.com

## Nominal data

Type	D2E133-DM64-I5		
Motor	M2E068-DF		
Phase		1~	1~
Nominal voltage	VAC	230	230
Frequency	Hz	50	60
Method of obtaining data		ml	ml
Valid for approval/standard		-	-
Speed (rpm)	min <sup>-1</sup>	2200	2500
Power consumption	W	230	255
Current draw	A	1.05	1.12
Capacitor	μF	4	4
Capacitor voltage	VDB	400	400
Capacitor standard		S2 (CE)	S2 (CE)
Min. back pressure	Pa	200	300
Min. back pressure	in. wg	0.8	1.2
Min. ambient temperature	°C	-25	-25
Max. ambient temperature	°C	50	50

ml = Max. load · me = Max. efficiency · fa = Free air · cs = Customer specification · ce = Customer equipment  
Subject to change



# AC centrifugal fan

forward-curved, dual-intake  
with housing and mounting bracket

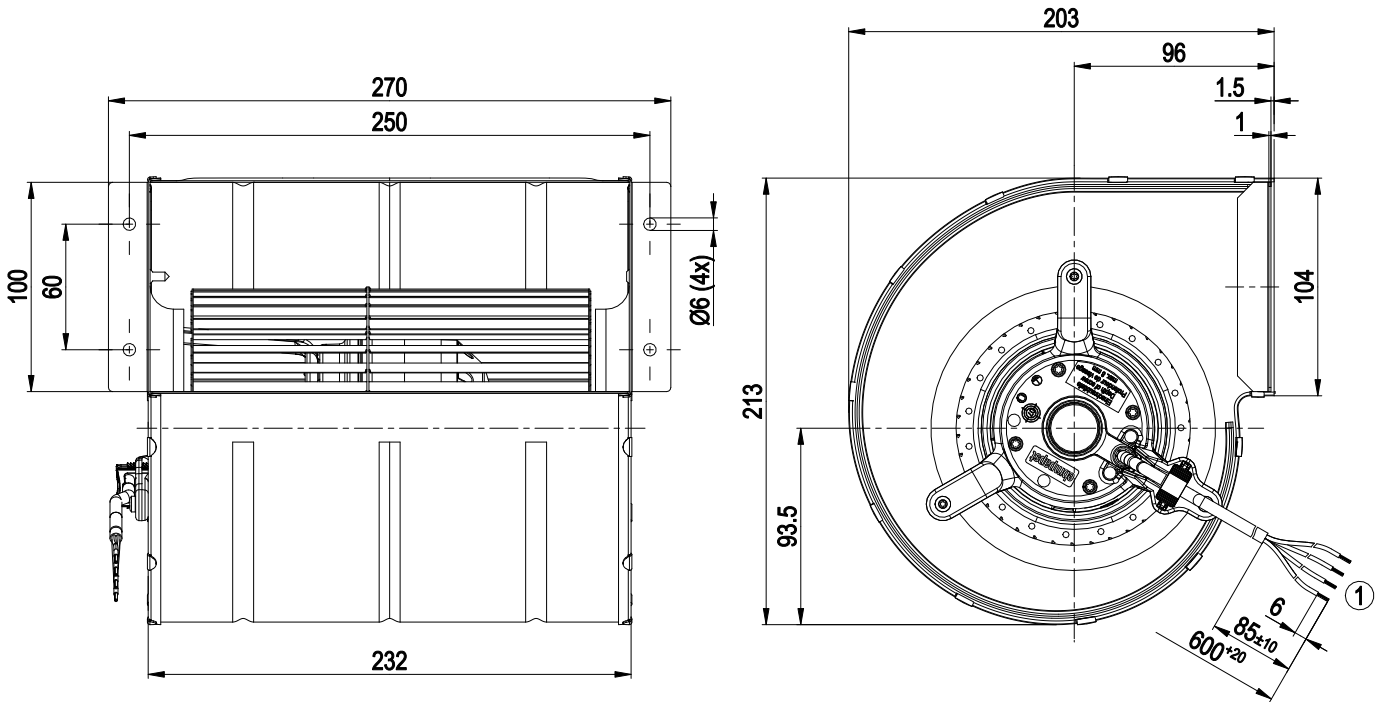
## Technical description

<b>Weight</b>	3.76 kg
<b>Size</b>	133 mm
<b>Motor size</b>	68
<b>Rotor surface</b>	Unpainted
<b>Impeller material</b>	Sheet steel, galvanized
<b>Housing material</b>	Sheet steel, galvanized
<b>Motor suspension</b>	Motor mounted with brackets on one side
<b>Direction of rotation</b>	Counterclockwise, viewed toward rotor
<b>Degree of protection</b>	IP44; installation- and position-dependent
<b>Insulation class</b>	"F"
<b>Moisture (F) / Environmental (H) protection class</b>	H0 - dry environment
<b>Max. permitted ambient temp. for motor (transport/storage)</b>	+80 °C
<b>Min. permitted ambient temp. for motor (transport/storage)</b>	-40 °C
<b>Installation position</b>	Any
<b>Condensation drainage holes</b>	None
<b>Mode</b>	S1
<b>Motor bearing</b>	Ball bearing
<b>Touch current according to IEC 60990 (measuring circuit Fig. 4, TN system)</b>	< 0.75 mA
<b>Motor protection</b>	Thermal overload protector (TOP) internally connected
<b>With cable</b>	Axial
<b>Protection class</b>	I (with customer connection of protective earth)
<b>Conformity with standards</b>	EN 60335-1
<b>Comment on CE</b>	Commissioning not permitted in the European Economic Area
<b>Approval</b>	EAC

# AC centrifugal fan

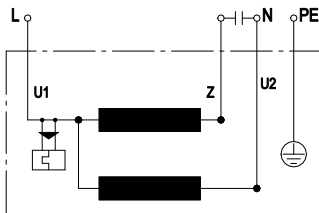
forward-curved, dual-intake  
with housing and mounting bracket

## Product drawing



- |   |                                       |
|---|---------------------------------------|
| 1 | Cable silicone 4G 0.5 mm <sup>2</sup> |
|   | 4x splice                             |

## Connection diagram



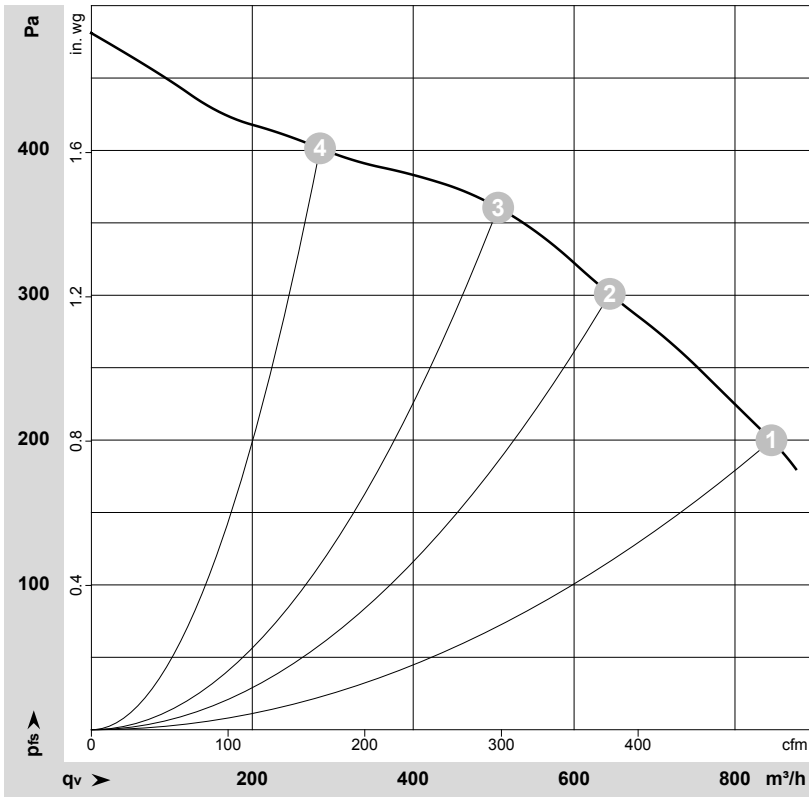
U1	blue	Z	brown	U2	black
PE	green/yellow				



# AC centrifugal fan

forward-curved, dual-intake  
with housing and mounting bracket

## Curves: Air performance 50 Hz



$\rho = 1.18 \text{ kg/m}^3 \pm 2 \%$

Measurement: LU-150660-1

Air performance measured according to ISO 5801 installation category A. For detailed information on the measurement setup, contact ebmpapst. Intake sound level: Sound power level according to ISO 13347 / sound pressure level measured at 1 m distance from fan axis. The values given are valid under the specified measuring conditions and may vary due to conditions of installation. For deviations from the standard configuration, the parameters have to be checked on the installed unit.

## Measured values

	Wired	U	f	n	$P_e$	I	$q_v$	$P_{fs}$	$q_v$	$P_{fs}$
		V	Hz	$\text{min}^{-1}$	W	A	$\text{m}^3/\text{h}$	Pa	cfm	in. wg
1	1~	230	50	2200	230	1.05	845	200	495	0.80
2	1~	230	50	2445	185	0.80	645	300	380	1.20
3	1~	230	50	2585	160	0.70	505	360	300	1.45
4	1~	230	50	2695	137	0.60	285	400	165	1.61

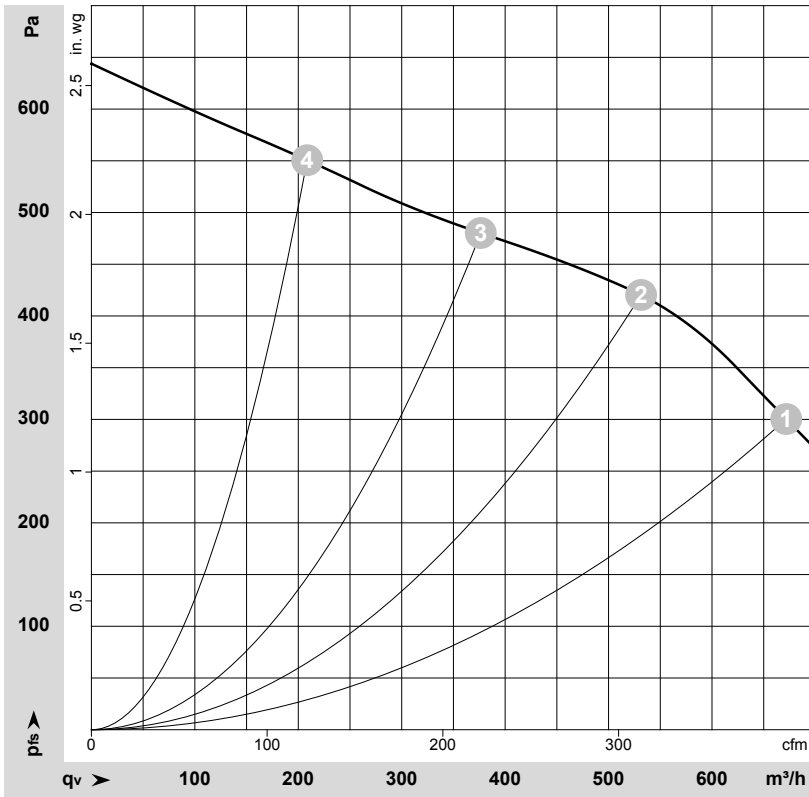
Wired = Wiring · U = Voltage · f = Frequency · n = Speed (rpm) ·  $P_e$  = Power consumption · I = Current draw ·  $q_v$  = Air flow ·  $P_{fs}$  = Pressure increase



# AC centrifugal fan

forward-curved, dual-intake  
with housing and mounting bracket

## Curves: Air performance 60 Hz



$\rho = 1.15 \text{ kg/m}^3 \pm 2 \%$

Measurement: LU-20679-1

Air performance measured according to ISO 5801 installation category A. For detailed information on the measurement setup, contact ebmpapst. Intake sound level: Sound power level according to ISO 13347 / sound pressure level measured at 1 m distance from fan axis. The values given are valid under the specified measuring conditions and may vary due to conditions of installation. For deviations from the standard configuration, the parameters have to be checked on the installed unit.

## Measured values

	Wired	U	f	n	P <sub>e</sub>	I	q <sub>v</sub>	P <sub>fs</sub>	q <sub>v</sub>	P <sub>fs</sub>
		V	Hz	min <sup>-1</sup>	W	A	m <sup>3</sup> /h	Pa	cfm	in. wg
1	1~	230	60	2500	255	1.12	670	300	395	1.20
2	1~	230	60	2840	228	0.99	530	420	315	1.69
3	1~	230	60	3025	206	0.90	375	480	220	1.93
4	1~	230	60	3165	185	0.81	210	550	125	2.21

Wired = Wiring · U = Voltage · f = Frequency · n = Speed (rpm) · P<sub>e</sub> = Power consumption · I = Current draw · q<sub>v</sub> = Air flow · P<sub>fs</sub> = Pressure increase

