

sickled blades (S series)  
with guard grille for full nozzle

**ebm-papst Mulfingen GmbH & Co. KG**

Bachmühle 2 · D-74673 Mulfingen

Phone +49 7938 81-0

Fax +49 7938 81-110

info@ebmpapst.com

www.ebmpapst.com

Limited partnership · Headquarters Mulfingen  
County court Stuttgart · HRA 590344

General partner Elektrobau Mulfingen GmbH · Headquarters Mulfingen  
County court Stuttgart · HRB 590142

**ASIA PACIFIC SHENGRUI LIMITED**

Phone +86 21 60852528

Fax +86 21 60852528

info@apacfan.com

www.apacfan.com

www.ebmpapst.com

**Nominal data**

<b>Type</b>	<b>S6D910-BA01-13</b>		
<b>Motor</b>	<b>M6D138-NA</b>		
Phase		3~	3~
Nominal voltage	VAC	400	400
Connection		$\Delta$	Y
Frequency	Hz	50	50
Type of data definition		ml	ml
Valid for approval / standard		CE	CE
Speed (rpm)	min <sup>-1</sup>	885	685
Power input	W	2480	1570
Current draw	A	5.15	2.9
Max. back pressure	Pa	150	90
Min. ambient temperature	°C	-40	-40
Max. ambient temperature	°C	50	50
Starting current	A	18.6	6.2

ml = Max. load · me = Max. efficiency · fa = Running at free air · cs = Customer specs · cu = Customer unit  
Subject to alterations

**Data in accordance with ecodesign regulation EU 327/2011 (EN 17166)**

		Actual	Request 2015			
01 Overall efficiency $\eta_{es}$	%	37	36.1	09 Power input $P_e$	kW	2.46
02 Measurement category		A		09 Air flow $q_v$	m <sup>3</sup> /h	22145
03 Efficiency category		Static		09 Pressure increase $p_{fs}$	Pa	157
04 Efficiency grade N		40.9	40	10 Speed (rpm) n	min <sup>-1</sup>	900
05 Variable speed drive		No		11 Specific ratio*		1.00

Data definition with optimum efficiency.

The ErP data is determined using a motor-impeller combination in a standardised measurement configuration.

\* Specific ratio =  $1 + p_{fs} / 100\,000\text{ Pa}$ 

LU-183158

sickled blades (S series)  
with guard grille for full nozzle

### Technical features

<b>Mass</b>	36.3 kg
<b>Size</b>	910 mm
<b>Motor size</b>	138
<b>Surface of rotor</b>	Cast in aluminium
<b>Material of terminal box</b>	PP plastic
<b>Material of blades</b>	Aluminium sheet insert, sprayed with PP plastic
<b>Material of guard grille</b>	Steel, coated in black plastic (RAL9005)
<b>Number of blades</b>	5
<b>Blade angle</b>	0°
<b>Direction of air flow</b>	V
<b>Direction of rotation</b>	Clockwise, seen on rotor
<b>Type of protection</b>	IP54
<b>Insulation class</b>	"F"
<b>Humidity (F) / environmental protection class (H)</b>	H2
<b>Note ambient temperature</b>	Occasional start-up between -40 °C and -25 °C is permissible. For continuous operation at ambient temperatures below -25 °C (e.g. refrigeration applications), a fan version with special low-temperature bearings must be used.
<b>Max. permissible ambient motor temp. (transp./ storage)</b>	+80 °C
<b>Min. permissible ambient motor temp. (transp./storage)</b>	-40 °C
<b>Mounting position</b>	Any
<b>Condensation drainage holes</b>	On rotor and stator sides
<b>Operation mode</b>	S1
<b>Motor bearing</b>	Ball bearing
<b>Touch current acc. IEC 60990 (measuring network Fig. 4, TN system)</b>	<= 3.5 mA
<b>Electrical connection</b>	Terminal box
<b>Motor protection</b>	Thermal overload protector (TOP) brought out, basic insulation
<b>Cable exit</b>	Axial
<b>Protection class</b>	I (if protective earth is connected by customer)
<b>Product conforming to standard</b>	EN 60034-1 (2010); CE
<b>Approval</b>	VDE; EAC

S6D910-BA01-13

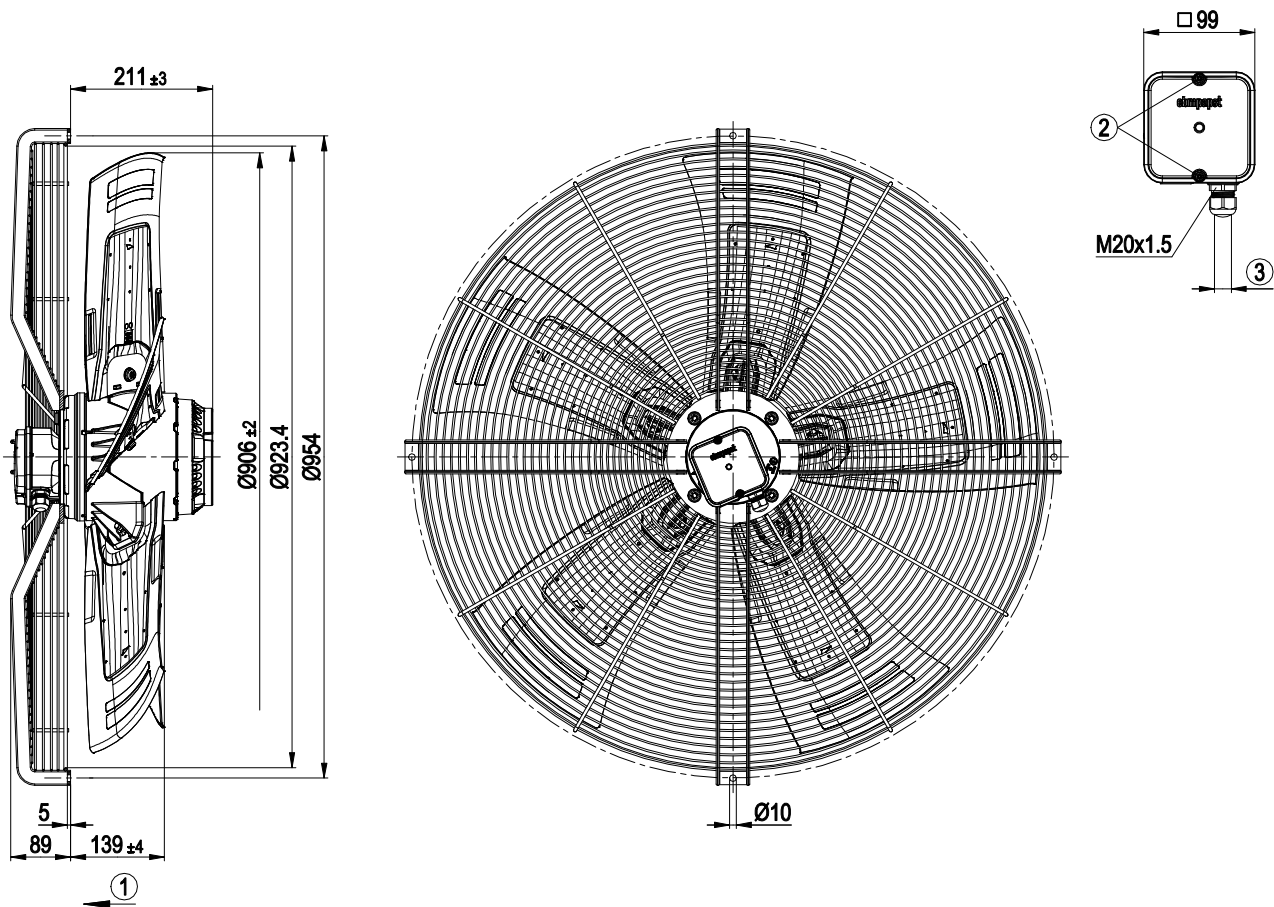
# AC axial fan - HyBlade

sickled blades (S series)

with guard grille for full nozzle

LUFTBERG wentylatory  
[www.luftberg.pl](http://www.luftberg.pl)

## Product drawing

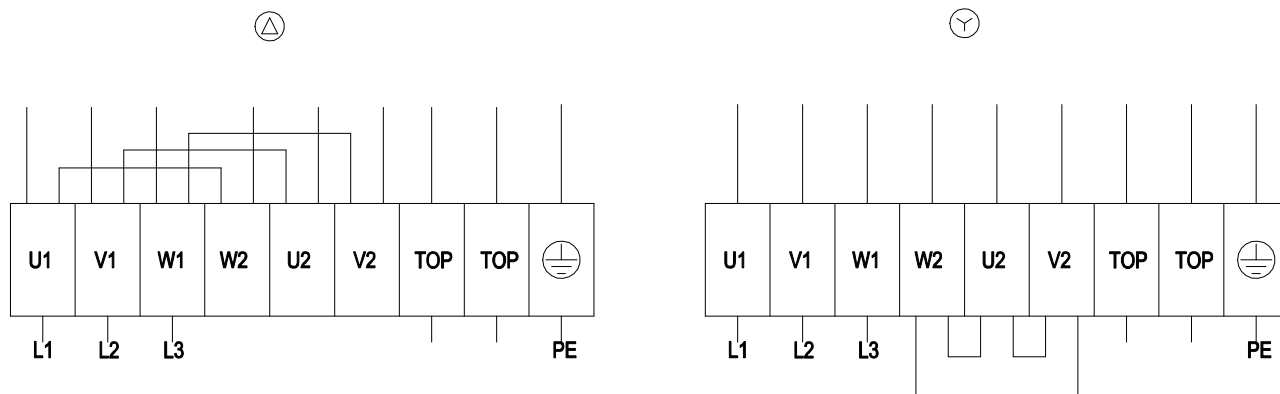


1	Direction of air flow "V"
2	Tightening torque $1.5 \pm 0.2$ Nm
3	Cable diameter min. 7 mm, max. 14 mm, tightening torque $2 \pm 0.3$ Nm

sickled blades (S series)

with guard grille for full nozzle

## Connection screen

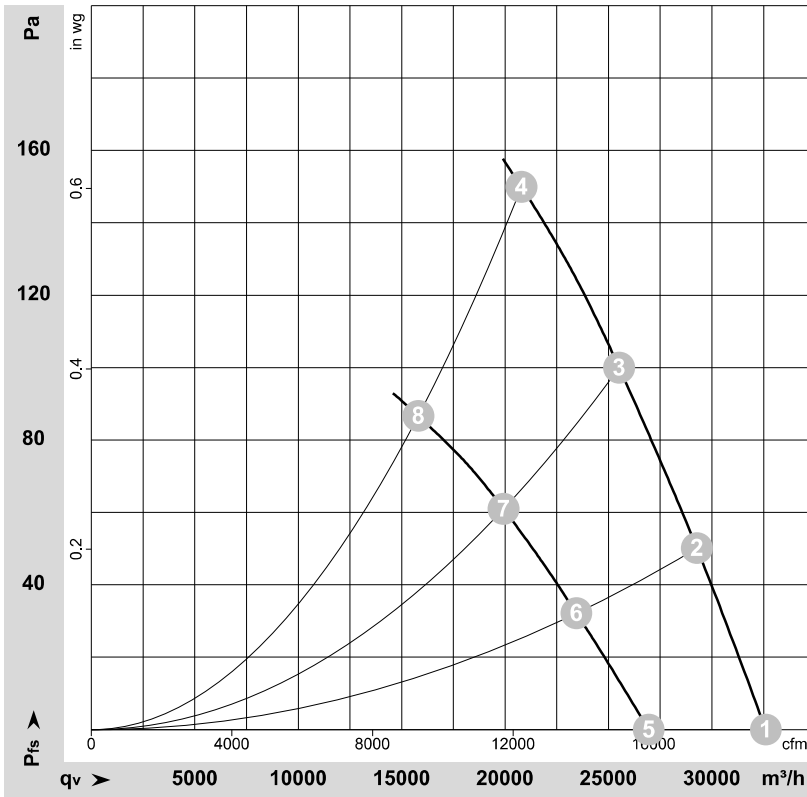


Δ	Delta-connection	Y	Star connection	L1	= U1 = black
L2	= V1 = blue	L3	= W1 = brown	W2	yellow
U2	green	V2	white	TOP	2 x grey
PE	green / yellow				

sickled blades (S series)

with guard grille for full nozzle

## Charts: Air flow 50 Hz



$\rho = 1.15 \text{ kg/m}^3 \pm 2 \%$

Measurement: LU-136151-1  
Measurement: LU-118398-1

Air performance measured as per ISO 5801 Installation category A. For detailed information on the measuring set-up, please contact ebm-papst. Suction-side noise levels: LwA measured as per ISO 13347 / LpA measured with 1m distance to fan axis. The values given are valid under the measuring conditions mentioned above and may vary according to the actual installation situation. With any deviation from the standard set-up, the specific values have to be checked and reviewed with the unit installed.

## Measured values

	Conn.	U	f	n	$P_e$	I	$LpA_{in}$	$LwA_{in}$	$LwA_{out}$	$q_v$	$p_{fs}$	$q_v$	$p_{fs}$
		V	Hz	$\text{min}^{-1}$	W	A	dB(A)	dB(A)	dB(A)	$\text{m}^3/\text{h}$	Pa	cfm	in. wg
1	$\Delta$	400	50	925	1848	4.31	70	78	78	32605	0	19190	0.00
2	$\Delta$	400	50	910	2084	4.59	69	76	77	29275	50	17230	0.20
3	$\Delta$	400	50	900	2298	4.86	68	76	76	25515	100	15020	0.40
4	$\Delta$	400	50	885	2480	5.15	70	77	77	20790	150	12235	0.60
5	Y	400	50	785	1290	2.44	65	73	73	26945	0	15860	0.00
6	Y	400	50	745	1412	2.67	63	70	70	23445	32	13800	0.13
7	Y	400	50	715	1491	2.82	61	69	69	19925	61	11725	0.24
8	Y	400	50	685	1570	2.90	63	71	70	15805	87	9305	0.35

Conn. = Connection · U = Supply voltage · f = Frequency · n = Speed (rpm) ·  $P_e$  = Power input · I = Current draw ·  $LpA_{in}$  = Sound pressure level inlet side ·  $LwA_{in}$  = Sound power level inlet side  
 $LwA_{out}$  = Sound power level outlet side ·  $q_v$  = Air flow ·  $p_{fs}$  = Pressure increase