

R3G140-AV17-12

# EC centrifugal fan

forward curved, single inlet



**ASIA PACIFIC SHENGRUI LIMITED**

Phone +00852 56261528

info@apacshengrui.com

www.apacfan.com

## Nominal data

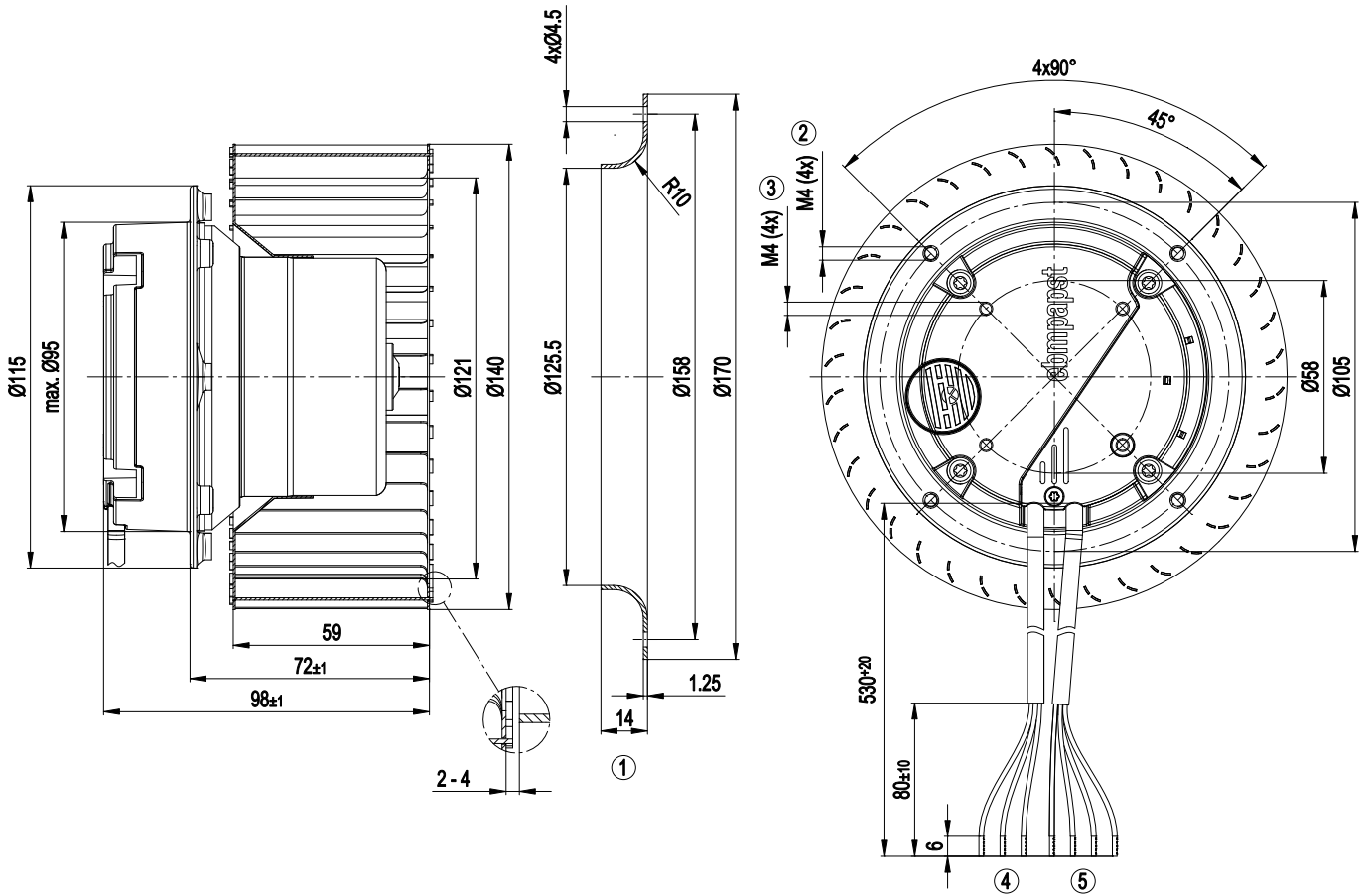
Type	R3G140-AV17-12	
Motor	M3G055-CF	
Phase		1~
Nominal voltage	[VAC]	230
Frequency	[Hz]	50/60
Type of data definition		ml
Speed	[min <sup>-1</sup> ]	2700
Power input	[W]	100
Current draw	[A]	0.72
Min. back pressure	[Pa]	0
Min. ambient temperature	[°C]	-25
Max. ambient temperature	[°C]	+50

ml = max. load · me = max. efficiency · rfa = running at free air · cs = customer specs · cu = customer unit  
Subject to alterations

### Technical features

Leakage current	<= 3,5 mA
Size	140 mm
Operation mode	S1
Direction of rotation	Clockwise, seen on rotor
Mounting position	Any
EMC harmonics	Acc. to EN 61000-3-2/3
EMC interference emission	Acc. to EN 61000-6-3 (household environment)
EMC interference immunity	Acc. to EN 61000-6-2
Insulation class	"B"
Cable exit	Variable
Condensate discharge holes	None, open rotor
Bearing motor	Ball bearing
Mass	1.3 kg
Material of electronics housing	Die-cast aluminium
Material of impeller	Sheet steel, hot-dip galvanised
Motor protection	Thermal overload protector (TOP) wired internally
Product conforming to standard	EN 60335-1
Surface of rotor	Thick layer passivated
Type of protection	IP 44
Protection class	I
Technical features	<ul style="list-style-type: none"> <li>- Output 10 VDC, max. 1.1 mA</li> <li>- Tach output</li> <li>- Over-temperature protected motor</li> <li>- Motor current limit</li> <li>- Soft start</li> <li>- Set value input Lin 0-10 VDC / PWM (1,7 V corresponds to 50 m³/h, 10 V corresponds to 300 m³/h)</li> </ul>
Max. permissible ambient motor temp. (transp./ storage)	+ 80 °C
Min. permissible ambient motor temp. (transp./storage)	- 40 °C
Approval	GOST

Product drawing

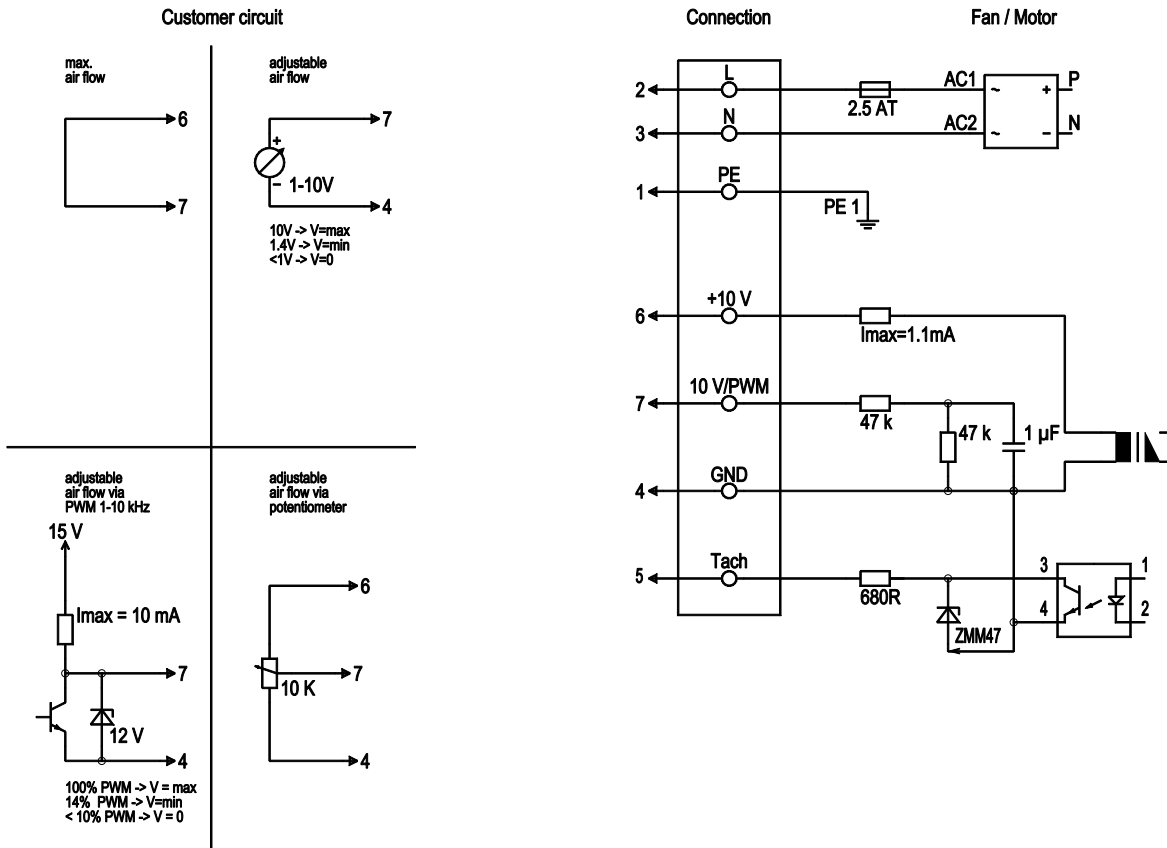


1	Accessory part: Inlet nozzle 09576-2-4013, not included in the standard scope of delivery
2	Depth of screw max. 6 mm
3	Depth of screw max. 6 mm
4	Connection line H03VV-F3G0.5, 3x brass lead tips crimped
5	Connection line A03VV-F4x0.25, 4 x brass lead tips crimped

# EC centrifugal fan

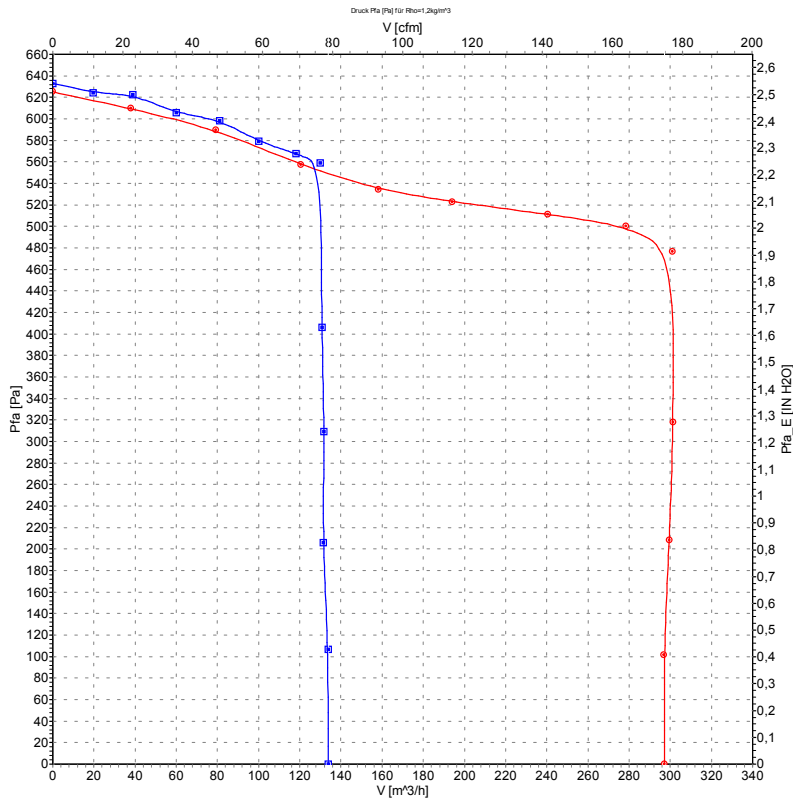
forward curved, single inlet

## Connection screen



Line	No.	Signal	Colour	Function / assignment
	2	L	brown	Power supply 230 VAC, 50-60 Hz, see type plate for voltage range
	3	N	blue	Neutral conductor
	1	PE	green/yellow	Protective earth
	7	0-10 V PWM	yellow	Control input 0 - 10 V or PWM, electrically isolated
	5	Tacho	white	Tach output: Open Collector, 1 pulse per revolution, electrically isolated
	6	10V	red	max. 1.1 mA, voltage output 10 V/1.1 mA, electrically isolated, not short-circuit-proof
	4	GND	blue	GND - Connection for control interface

## Charts: Air flow 50 Hz



Measurement: LU-124016  
Measurement: LU-124020