

ASIA PACIFIC SHENGRUI LIMITED

Phone +00852 56261528

info@apacfan.com

www.apacfan.com



Nominal data

Type	S3G400-KC22-51	
Motor	M3G084-FA	
Phase		1~
Nominal voltage	VAC	230
Nominal voltage range	VAC	200 .. 277
Frequency	Hz	50/60
Type of data definition		ml
Speed	min ⁻¹	1630
Power input	W	400
Current draw	A	2.6
Max. back pressure	Pa	160
Min. ambient temperature	°C	-25
Max. ambient temperature	°C	+60

ml = max. load · me = max. efficiency · fa = running at free air · cs = customer specs · cu = customer unit
Subject to alterations

Data according to ErP directive

Installation category	A
Efficiency category	Static
Variable speed drive	Yes
Specific ratio*	1.00

* Specific ratio = $1 + p_b / 100\,000\text{ Pa}$

	Actual	Request 2013	Request 2015
Overall efficiency η_{es}	39.7	27.1	31.1
Efficiency grade N	48.6	36	40
Power input P_{ed}	kW	0.39	
Air flow q_v	m ³ /h	3605	
Pressure increase p_{fs}	Pa	142	
Speed n	min ⁻¹	1635	

Data established at point of optimum efficiency



Technical features

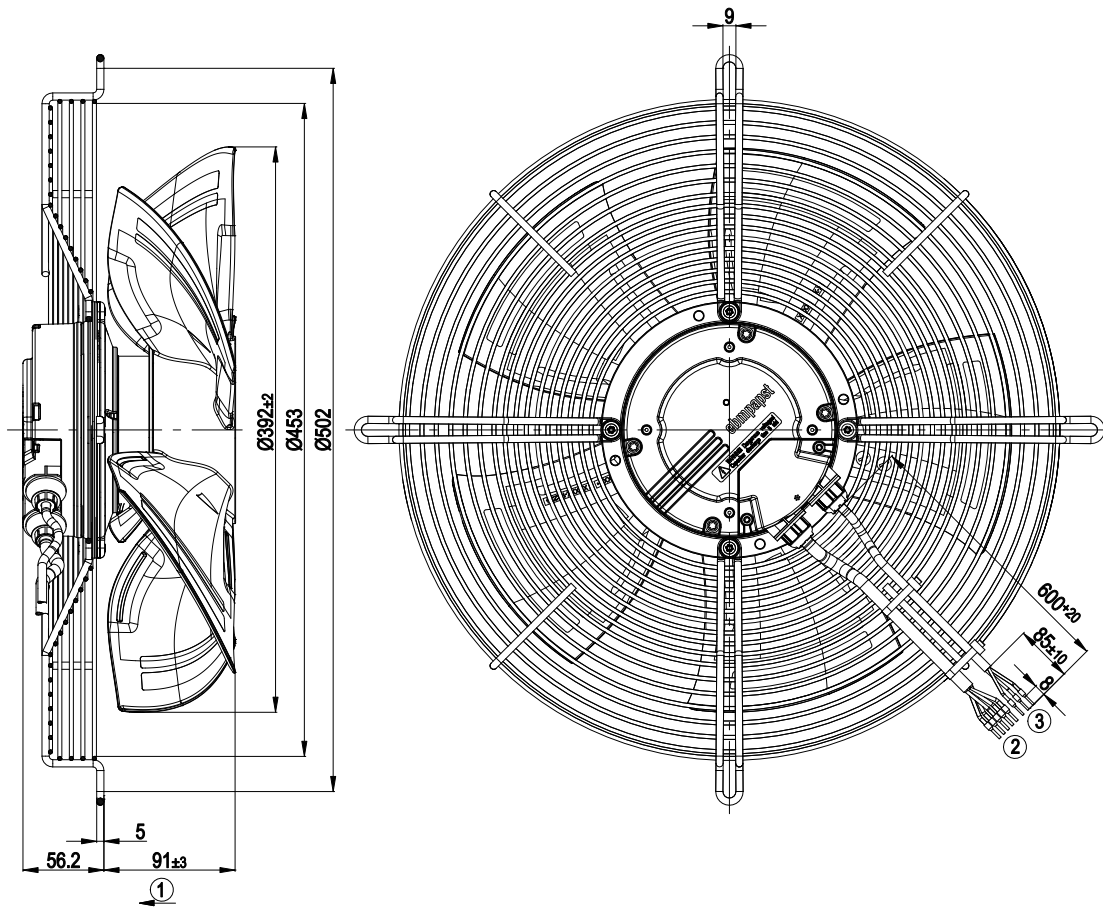
Mass	6.1 kg
Size	400 mm
Surface of rotor	Coated in black
Material of electronics housing	Die-cast aluminium
Material of blades	Press-fitted sheet steel blank, sprayed with PP plastic
Material of guard grille	Steel, coated in black plastic (RAL9005)
Number of blades	5
Direction of air flow	"V"
Direction of rotation	Counter-clockwise, seen on rotor
Type of protection	IP 54
Insulation class	"B"
Humidity class	F3-1
Max. permissible ambient motor temp. (transp./ storage)	+80 °C
Min. permissible ambient motor temp. (transp./storage)	-40 °C
Mounting position	Shaft horizontal or rotor on bottom; rotor on top on request
Condensate discharge holes	Rotor-side
Operation mode	S1
Motor bearing	Ball bearing
Technical features	<ul style="list-style-type: none"> - Output 10 VDC, max. 1.1 mA - Alarm relay - Motor current limit - Soft start - Control input 0-10 VDC / PWM - Control interface with SELV potential safely disconnected from the mains - Over-temperature protected electronics / motor - Line undervoltage detection
EMC interference immunity	Acc. to EN 61000-6-2 (industrial environment)
EMC harmonics	Acc. to EN 61000-3-2/3
EMC interference emission	Acc. to EN 61000-6-3 (household environment)
Touch current acc. IEC 60990 (measuring network Fig. 4, TN system)	<= 3.5 mA
Motor protection	Thermal overload protector (TOP) wired internally
Cable exit	Variable
Protection class	I (if protective earth is connected by customer)
Product conforming to standard	EN 61800-5-1; CE
Approval	UL 2111; CCC; GOST; CSA C22.2 Nr.77

EC axial fan - HyBlade®

sickled blades (S series)

with guard grille for full nozzle

Product drawing

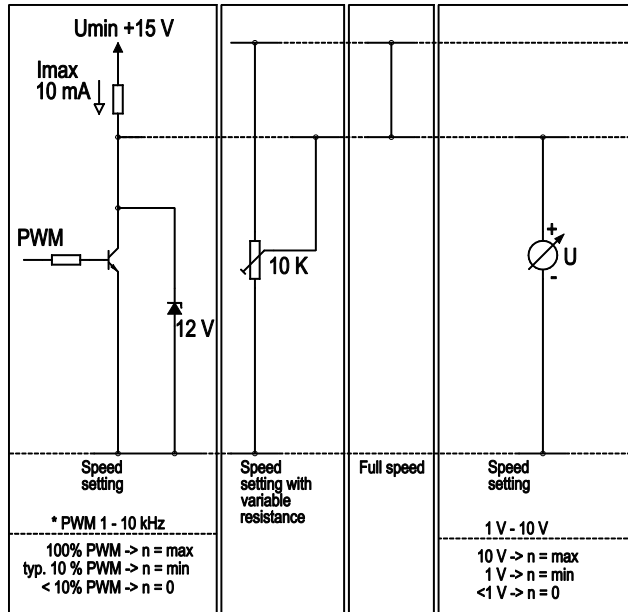


- | | |
|---|--|
| 1 | Direction of air flow "V" |
| 2 | Connection line PVC AWG18, 5x crimped core-end sleeves |
| 3 | Connection line PVC AWG22, 3x crimped core-end sleeves |

Connection screen

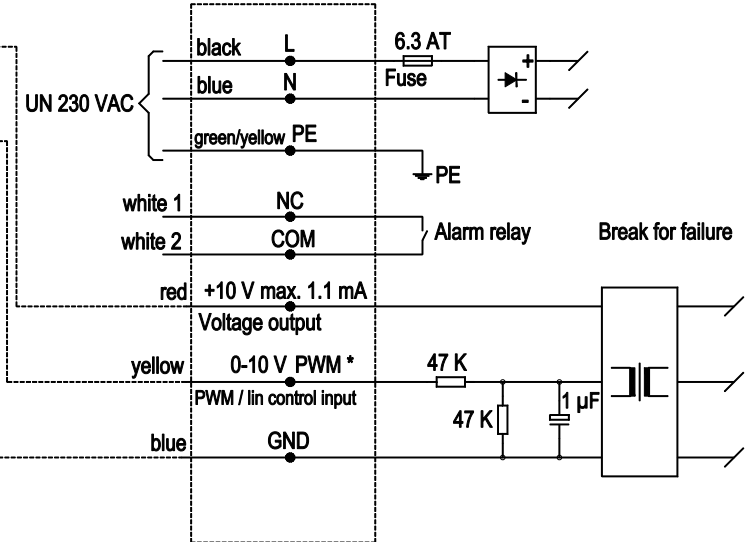
Customer circuit

Notes on various control possibilities and their applications

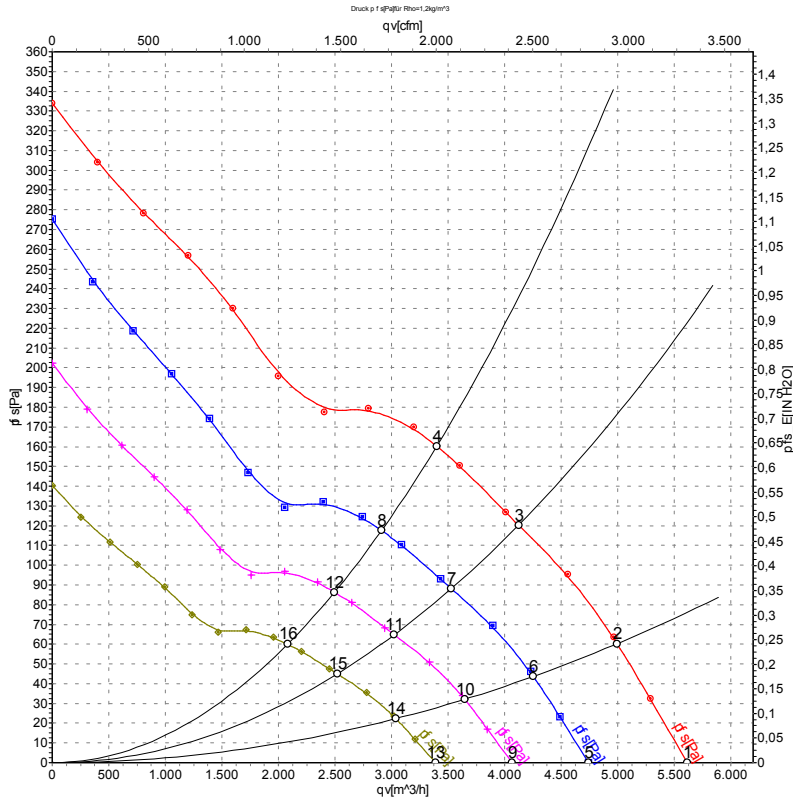


Connection

Fan / motor



Charts: Air flow 50 Hz



Measurement: LU-124564

Air performance measured as per ISO 5801 Installation category A. For detailed information on the measuring set-up, please contact ebmpapst. Suction-side noise levels: LwA measured as per ISO 13347 / LpA measured with 1m distance to fan axis. The values given are valid under the measuring conditions mentioned above and may vary according to the actual installation situation. With any deviation from the standard set-up, the specific values have to be checked and reviewed with the unit installed.

Measured values

	U	f	n	P _{ed}	I	LpA _{in}	LwA _{in}	qv	p _{fs}
	V	Hz	min ⁻¹	W	A	dB(A)	dB(A)	m ³ /h	Pa
1	230	50	1660	350	2.24	71	78	5620	0
2	230	50	1645	380	2.43	69	76	4995	60
3	230	50	1635	391	2.50	66	72	4125	120
4	230	50	1630	400	2.60	67	74	3400	160
5	230	50	1400	211	1.35	67	74	4745	0
6	230	50	1400	235	1.50	65	72	4255	44
7	230	50	1400	245	1.56	63	69	3530	88
8	230	50	1400	249	1.59	64	71	2915	118
9	230	50	1200	133	0.85	64	70	4065	0
10	230	50	1200	148	0.95	62	69	3645	32
11	230	50	1200	154	0.99	59	66	3025	65
12	230	50	1200	157	1.00	61	68	2495	86
13	230	50	1000	77	0.49	60	67	3390	0
14	230	50	1000	86	0.55	58	65	3040	23
15	230	50	1000	89	0.57	55	62	2520	45
16	230	50	1000	91	0.58	57	64	2080	60

U = Supply voltage · f = Frequency · n = Speed · P_{ed} = Power input · I = Current draw · LpA_{in} = Sound pressure level inlet side · LwA_{in} = Sound power level inlet side · qv = Air flow
 p_s = Pressure increase

